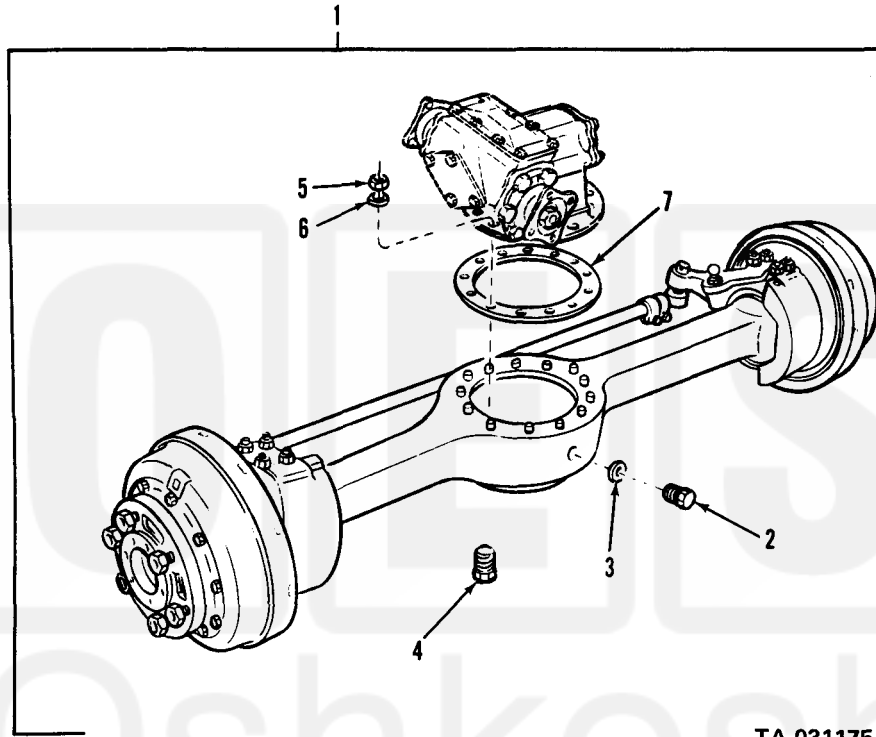


Current part is item (3,7,6) on diagram. Available at www.oshkoshequipment.com

(1)	(2)	(3)	(4)	(5)	(6)	(7)	(8)
ILLUS.							QTY
(a)	(b)	SMR	NATIONAL	PART	DESCRIPTION	U/M	INC
FIG.	ITEM	CODE	STOCK	NUMBER	FSCM		IN
NO.	NO.		NUMBER		USABLE ON CODE		UNIT
					GROUP 10-FRONT AXLE		
					1000-FRONT AXLE ASSEMBLY		
80	1	PAFHH	2520-00-692-6097	7521734	19207 AXLE ASSEMBLY,AUTOMOTIVE DRIVING:W/DRUMS AND HUBS ASSEMBLY AA	EA	1
80	1	PAFHH	2520-00-572-8719	7521734-1	19207 AXLE ASSEMBLY,AUTOMOTIVE DRIVING:FRONT AB,AC	EA	1
80	2	PAOZZ	5365-00-732-6126	7326126	19207 PLUG,MACHINE THREAD: FILLER	EA	1
80	3	PAOZZ	5330-00-514-3289	MS35769-21	96906 GASKET:FILLER PLUG (PART OF SET,P/N7521735)	EA	1
80	4	PAOZZ	4730-00-240-9320	10896735	19207 PLUG,PIPE,MAGNETIC:DRAIN	EA	1
80	5	PAFZZ	5310-00-926-5916	MS51968-12	96906 NUT,PLAIN,HEXAGON	EA	12
80	6	PAFZZ	5310-00-893-3381	7748744	19207 WASHER	EA	12
80	7	PAFZZ	5330-00-752-1782	7521782	19207 GASKET:CARRIER TO HOUSING (PART OF SET,P/N7521735)	EA	1
80		PAFZZ	5330-00-752-1735	7521735	19207 GASKET SET:OVERHAUL	EA	1
80	3				GASKET	EA	1
80	7				GASKET	EA	1
84	6				GASKET	EA	2



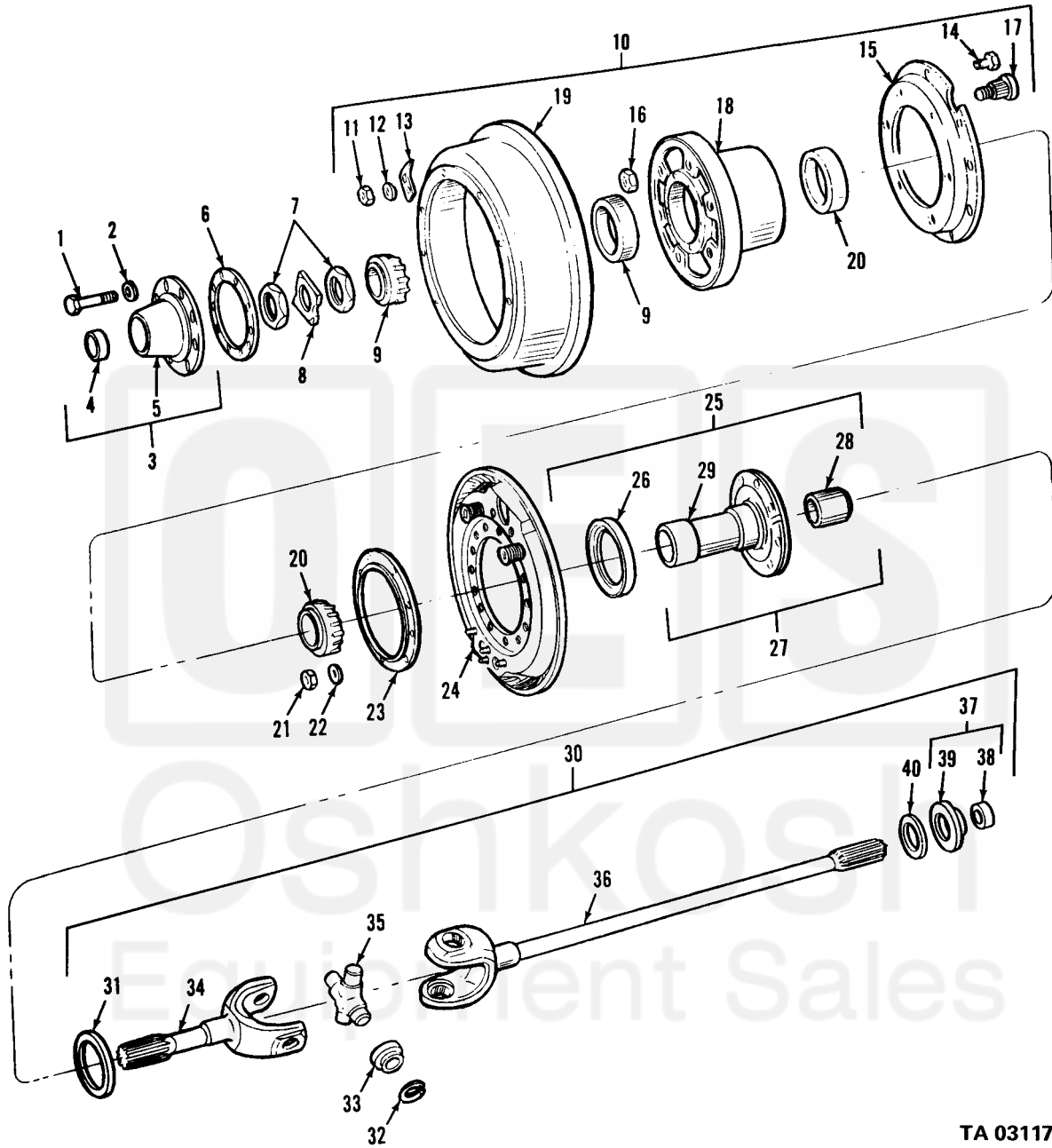
Current part is item (3,7,6) on diagram. Available at www.oshkoshequipment.com



TA 031175

Figure 80. Front axle assembly.

(1)	(2)	(3)	(4)	(5)	(6)	(7)	(8)
ILLUS.							QTY
(a)	(b)	SMR	NATIONAL	PART	DESCRIPTION	U/M	INC
FIG.	ITEM	CODE	STOCK	NUMBER	FSCM		IN
NO.	NO.		NUMBER				UNIT
1004-STEERING MECHANISM (CONT'D)							
83	23	XAFZZ		8757695	19207	KNUCKLE:STEERING,LEFT (USED ON KNUCKLE AND STUD, NSN2530-00-752-1687, ONLY)	EA 1
83	23	PAFZZ		8757696	19207	KNUCKLE:STEERING,RIGHT(USED ON KNUCKLE AND STUD, NSN2530-00-752-1688, ONLY)	EA 1
83	24	PAFZZ	5306-00-281-1651	5225875	19207	BOLT, MACHINE	EA 2
83	25	PAFZZ	5310-00-193-0704	5225876	19207	NUT, PLAIN, HEXAGON:STEERING KNUCKLE FLANGE STOP	EA 2
83	26	PAOZZ	5340-00-707-1100	7071100	19207	CLAMP, LOOP: INNER STEERING KNUCKLE FLANGE BOOT	EA 2
83	27	PAOZZ	5310-00-707-1097	7071097	19207	NUT, PLAIN, HEXAGON:STEERING KNUCKLE FLANGE CLAMP	EA 1
83	28	PAOZZ	5305-00-752-1693	7071098	19207	SCREW, MACHINE:STEERING KNUCKLE FLANGE CLAMP	EA 1
83	29	XAOZZ		7071085	19207	CLAMP	EA 1
83	30	PAOZZ	5340-00-707-1099	7071099	19207	CLAMP, LOOP: OUTER STEERING KNUCKLE FLANGE BOOT	EA 2
83	31	PAOZZ	5310-00-707-1097	7071097	19207	NUT, PLAIN, HEXAGON:STEERING KNUCKLE FLANGE CLAMP	EA 1
83	32	PAOZZ	5305-00-752-1693	7071098	19207	SCREW, MACHINE:STEERING KNUCKLE FLANGE CLAMP	EA 1
83	33	XAOZZ		7071084	19207	CLAMP	EA 1
83	34	PAOZZ	2530-00-741-0883	7410883	19207	BOOT, STEERING KNUCKLE:FLANGE	EA 2
83		PAOZZ		7410883	19207	KIT, STEERING BOOT ASSEMBLY:	EA 1
83	34	PAOZZ	2530-00-741-0883	7410883	19207	BOOT, STEERING KNUCKLE:FLANGE	EA 1
83	27	PAOZZ	5310-00-707-1097	7071097	19207	NUT, PLAIN, HEXAGON:STEERING KNUCKLE FLANGE CLAMP	EA 2
83	28	PAOZZ	5305-00-752-1693	7071098	19207	SCREW, MACHINE:STEERING KNUCKLE FLANGE CLAMP	EA 2
		PAOZZ		796089	19207	SEALANT:TUBE	EA 1
83	35	PAOZZ	4820-00-726-4719	5196397	00000	VALVE, RELIEF	EA 1
84	1	PAOZZ	5306-00-182-9267	10896726	19207	BOLT, MACHINE	EA 16
84	2	PAOZZ	5310-00-584-5272	MS35338-48	96906	WASHER, LOCK	EA 16
84	3	PAOZZ	2520-00-752-1861	7521861	19207	FLANGE, AXLE SHAFT:DRIVE, W/PLUG	EA 2
84	4	PAOZZ	5340-00-752-1762	7521762	19207	PLUG, EXPANSION	EA 1
84	5	XAOZZ		8757694	19207	FLANGE	EA 1
84	6	PAOZZ	5330-00-599-4230	7521787	19207	GASKET:DRIVE FLANGE (PART OF SET, P/N7521735)	EA 2



TA 031179

Figure 84. Front axle shafts, hubs and drums.